

Ver

OPERATOR FOR
OVERHEAD GARAGE
AND SECTIONAL
DOORS

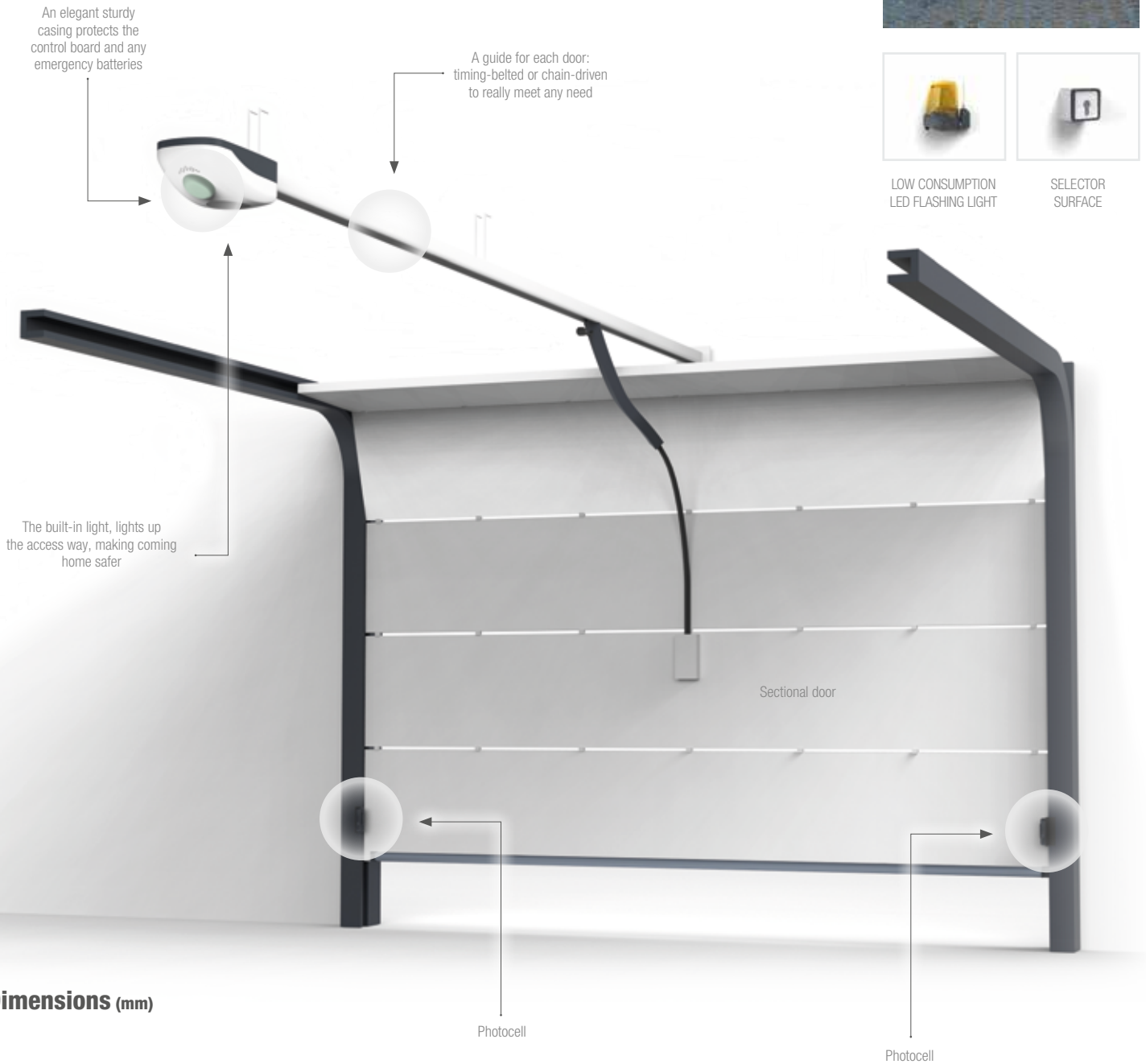


CAME

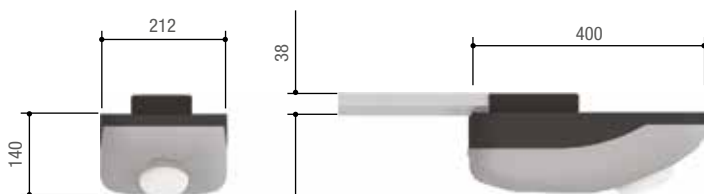


Ver...satile.

Ver is the optimal solution for most small to medium sized overhead and sectional garage doors. The availability of a wide range of accessories allows the operator to easily adapt to doors, without needing any costly set up jobs. Also, the motor can be fitted in three different positions depending on the available space.



Dimensions (mm)

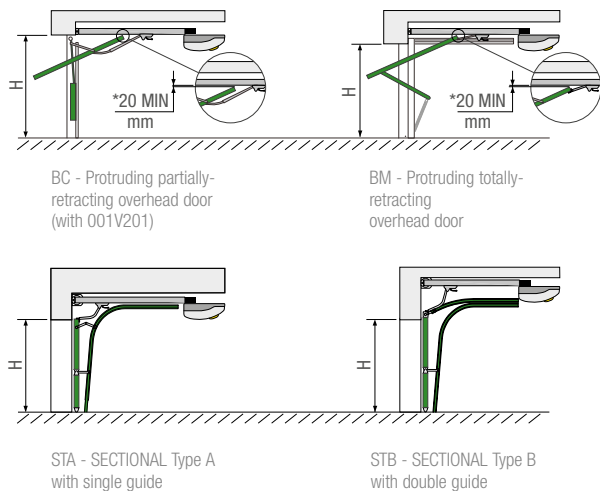


Benefits that become solutions.

TOTAL CONTROL

- The system is managed by the built-in control panel. It is adjustable, and among other features it self-diagnoses any safety devices before even moving the door.
- Encoder-based obstruction detecting technology, for greater safety and reliability.

Applications



H = Maximum door height

* Maximum space height taken up by door when moving (about 2/3 of the opening)



Ver can be installed even on counter-weighted (partially-retracting) overhead doors and (totally-retracting) spring loaded doors



EN TESTED safety

An electromechanical EN TESTED branded system always ensures safe controlled operation of moving doors, in compliance with current legislative standards in terms of impact forces.



Guaranteed by 24 Volts

Systems running at 24 Volts are super safe to use and very reliable under intense working conditions, such as those found at residential apartment complexes and industrial facilities. Moreover, 24 Volt systems work even during power outages, thanks to the optional batteries.



Read up at came.com on the entire range of Came products!

Came is a leading home automation, industrial and special plant technology projects manufacturing company.

A full range of household solutions: from operators for gates and garage doors, to shutter and awning winding motors, and even home automation control, to burglar proof and video entry systems. Technology and reliability to serve your business, thanks to solutions designed for powering large industrial doors, automatic doors, street barriers, turnstiles, access controls and parking facilities.





CUSTOMIZED ELECTRONICS FOR YOUR NEEDS!

Ver is available in the 24 V DC version. The table shows the main characteristics of the control panels, matched to the gearmotors.



GARANZIA QUALITÀ ORIGINALE

Came products are entirely designed and made in ITALY



Came S.p.A. is Quality and Environmentally certified by
UNI EN ISO 9001
UNI EN ISO 14001

MODEL

CONTROL PANEL

	V900E	V700E
CONTROL PANEL	ZL56	ZL56A
SAFETY FEATURES		
REOPEN while closing	●	●
TOTAL STOP	●	●
ENCODER	●	●
AMPEROMETRIC DETECTION	●	●
CONTROL FEATURES		
PARTIAL OPENING *	●*	●*
OPEN-STOP-CLOSE-STOP from transmitter and/or from button	●	●
CHARACTERISTICS AND ADJUSTMENTS		
FLASHING LIGHT connection	●	●
COURTESY LAMP connection	●	●
Antenna	●	●
SELF-LEARNING of the transmitter's RADIO CODE	●	●
Adjustable AUTOMATIC RECLOSING TIME	●	●
OPENING and/or CLOSING slow down	●	●
EMERGENCY BATTERY operation (optional)	●	●
Electronic brake	●	●
SELF-LEARNING opening and closing limit-switches	●	●

* NOTE: Partial opening can be activated by button or selector, but also by transmitter.

● 24 V DC

MODEL

	V700E	V900E
IP protection rating	40	40
Power supply (V - 50/60 Hz)	230 AC	230 AC
Power supply to motor (V - 50/60 Hz)	24 DC	24 DC
Draw (A)	11 Max.	6 Max.
Power (W)	260	130
Maneuvering speed (m/min)	6	6
Duty cycle (%)	50	50
Operating temperature (°C / °F)	-20 ÷ +55 / -4 ÷ +131	-20 ÷ +55 / -4 ÷ +131
Motor's heat protection (°C / °F)	-	-

● 24 V DC

LIMITS TO USE (TRACTION FORCE)

500 N	V900E
850 N	V700E

● 24 V DC

Traction force (N)

SOME VERSIONS MAY NOT BE AVAILABLE IN YOUR COUNTRY.
FOR MORE INFORMATION PLEASE SPEAK TO YOUR LOCAL LICENSED DEALER.



© CAME SPA - KDEP#CEN28A3S11 - JAN_2014 - EN

Even partial reproduction is prohibited • CAME reserves the right to make changes to this document at any time



Came S.p.A.

Via Martiri della Libertà, 15
Dosson di Casier
Treviso - Italy

www.came.com

Came is a company of
CAMEGROUP